



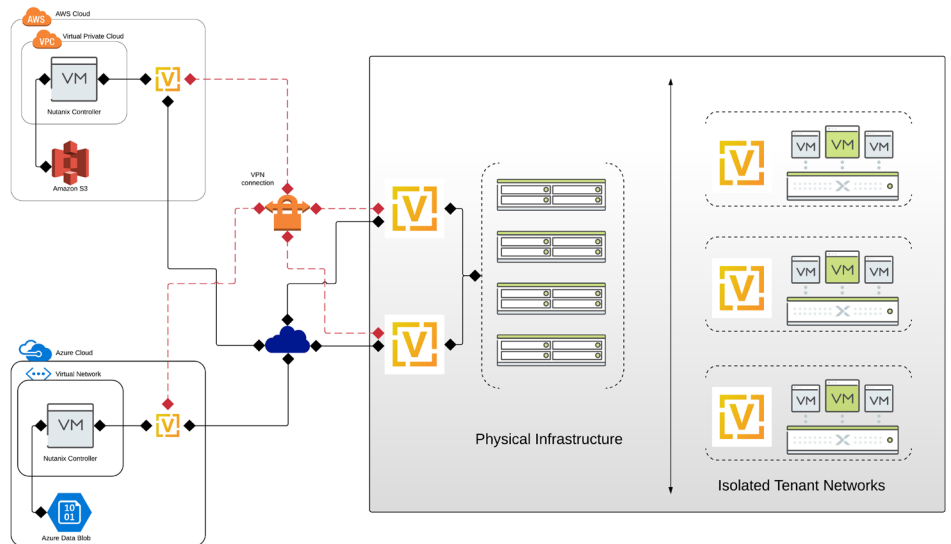
**VyOS is a powerful network OS that can be deployed on Nutanix AHV (Acropolis Hypervisor) as a Virtual Appliance/VNF on premises or in most common public clouds.**

Using VyOS together with a license-free Nutanix AHV hypervisor, which is included with Acropolis, you can build your enterprise level network infrastructure. VyOS and Nutanix technologies allows to rollout fully-functional and flexible networks inside private and public clouds, as well as on-premises. Nutanix Prism provides a simple plane to manage the compute, storage and networking, this coupled with VyOS can provide advanced networking capabilities as well as managing network becomes much easier with VyOS CLI. You can use VyOS as edge router with dynamic routing and firewall, or as VPN gateway for site-to-site connections or as remote access point for your workers.

### SOLUTION ARCHITECTURE/HOW IT WORKS

VyOS can be used for a variety of network roles:

- Site-to-Site connectivity (IPSec, WireGuard, OpenVPN, DMVPN) between Nutanix managed clouds;
- VPN access concentrator (OpenVPN, L2TP) to provide access to internal cloud network;
- Border/Edge gateway (BGP, OSPF) to provide access from a cloud to the Internet;
- Stateful firewall (including Zone based firewalling).



## KEY SOLUTION BENEFITS

Nutanix and VyOS helps deliver end-to-end solutions for clients which needs to build complex or simple infrastructure. Here are main benefits of the solution:

- Fully open-source highly customizable operation system;
- Easily serviced by customer technical staff thanks to Nutanix Prism and VyOS CLI;
- Support of wide list of network topologies and technologies;
- Scalable computing resource usage from small systems to high end instances;
- Support virtual deployments on premises and in public/private clouds;
- Easy migration of whole infrastructure between clouds with Nutanix management tools.



### NUTANIX READY VALIDATION

- VyOS validated on Nutanix AHV

## CUSTOMER/PARTNER QUOTE/MARKET REFERENCE (ADDRESS PAIN POINTS)

"The global virtual router market size is expected to grow from USD 116.8 million in 2018 to USD 331.5 million by 2023"

- Virtual Router Market by Component (Solution (Integrated and Standalone) and Service), Type (Predefined and Custom), End-User (Service Provider (Telecom, Data Center, and Cloud) and Enterprises), and Region
- Global forecast to 2023.

"Virtual routers also enable optimization of capital expenditure (CapEx) and lowers operational expenditures (OpEx)."

- Virtual Router Market Research Report - Global Forecast till 2023.

## RESOURCES AND GETTING STARTED

- VyOS page: <https://vyos.io/>
- Nutanix page: <https://www.nutanix.com/>
- VyOS community: <https://forum.vyos.io/>

## ABOUT SENTRIUM

Sentrium is a group of developers, engineers, lawyers, marketing and sales specialists that team up to build affordable network solution for networks of all sizes.

## ABOUT NUTANIX

Nutanix makes infrastructure invisible, elevating IT to focus on the applications and services that power their business. The Nutanix enterprise cloud platform delivers the agility, pay-as-you-grow economics and operational simplicity of the public cloud, without sacrificing the predictability, security and control of on-premises infrastructure. Nutanix solutions leverage web-scale engineering and consumer-grade design to natively converge compute, virtualization and storage into a resilient, software-defined solution that delivers any application at any scale. Learn more at [www.nutanix.com](http://www.nutanix.com) or follow us on Twitter [@nutanix](https://twitter.com/nutanix).



T. 855.NUTANIX (855.688.2649) | F. 408.916.4039  
[info@nutanix.com](mailto:info@nutanix.com) | [www.nutanix.com](http://www.nutanix.com) | [@nutanix](https://twitter.com/nutanix)

© 2019 Nutanix, Inc. All rights reserved. Nutanix, the Enterprise Cloud Platform, and the Nutanix logo are registered trademarks or trademarks of Nutanix, Inc. in the United States and other countries. All other brand names mentioned herein are for identification purposes only and may be the trademarks of their respective holder(s).